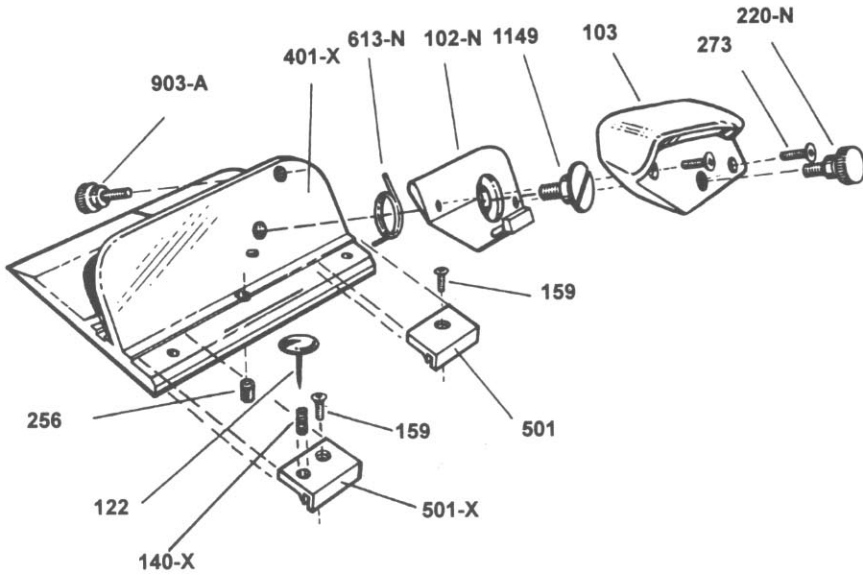


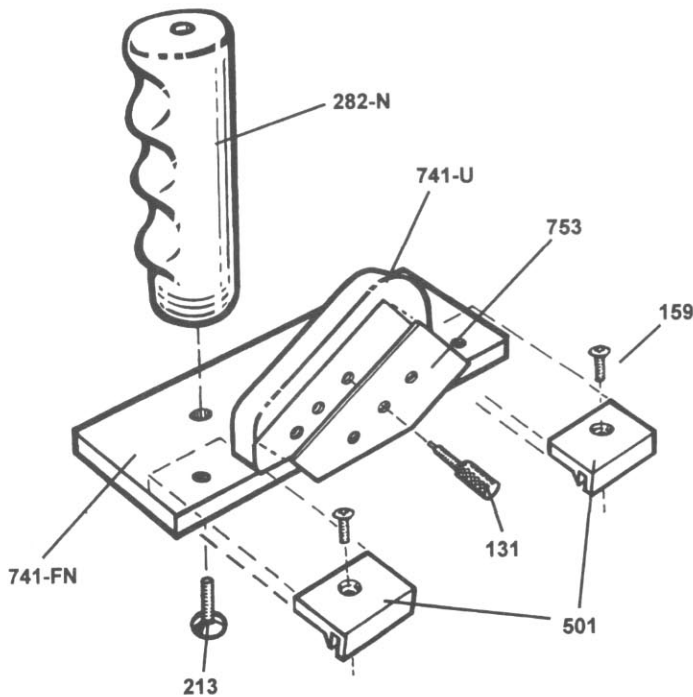
Parts List

A. Cutting Heads



702 Bevel Cutting Head

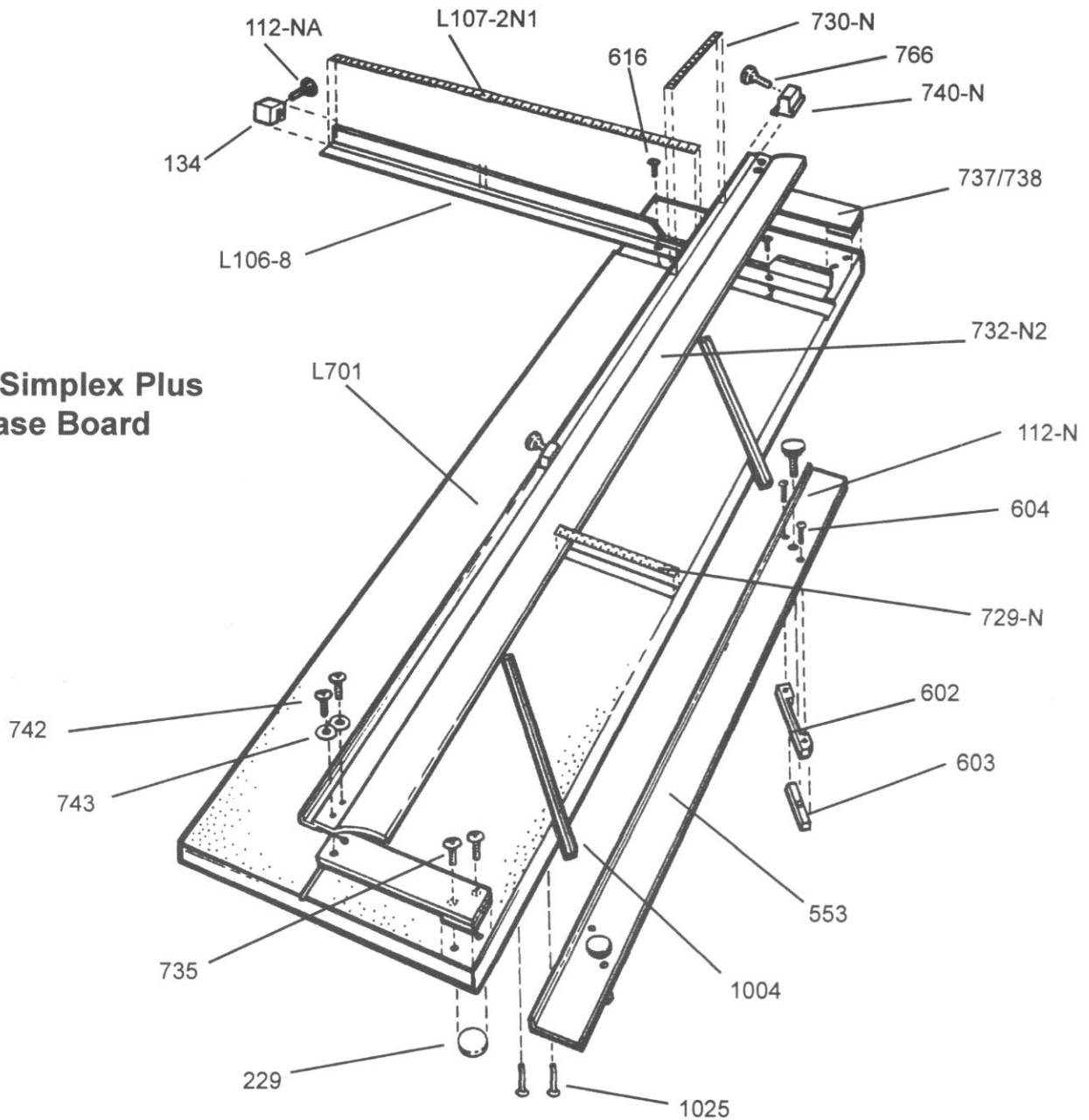
903-A	retaining screw
401-X	cutting head base
613-N	torsion spring
102-N	bevel blade holder
1149	shoulder screw
103	bevel blade cover
273	blade cover screw (2)
220-N	blade holding screw
501	bearing
501-X	bearing
140-X	spring
122	anti-crawl pin
256	blade depth screw
159	bearing screw (2)



701 Straight Cutting Head

282-N	handle
741-U	upright base
753	blade cover
159	bearing screw (2)
131	knurled screw
501	bearing (2)
213	screw
741-FN	straight cut base

#750 Simplex Plus Base Board



#750 Simplex Plus Base Board

L106-8	squaring arm	732-N2	750 guide rail
134	squaring arm stop	735	wood screw (4)
229	rubber feet (6)	737/738	hinge (2)
112-N	mat guide knobs (2)	740-N	guide rail stop (2)
553	mat guide	742	screw (4)
602	slide (2)	743	washer (4)
603	wedge (2)	766	stop screw (2)
604	screw (4)	112-NA	stop screw
616	squaring arm screw (2)	1004	aluminum channel (2)
L107-2N1	squaring arm scale	1025	channels screw (4)
729-N	mat guide scale	L701	simplex base board
730-N	guide rail scale		