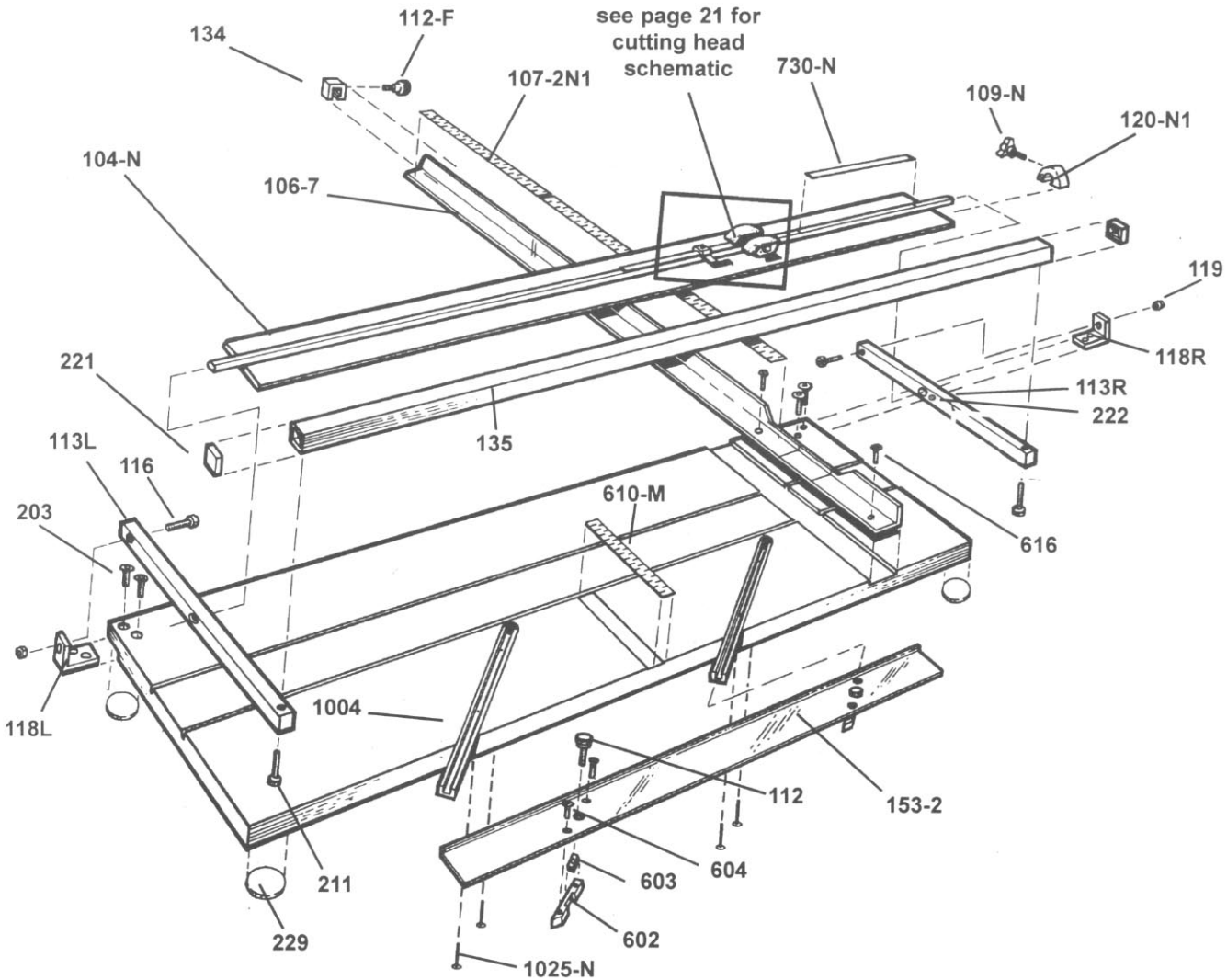
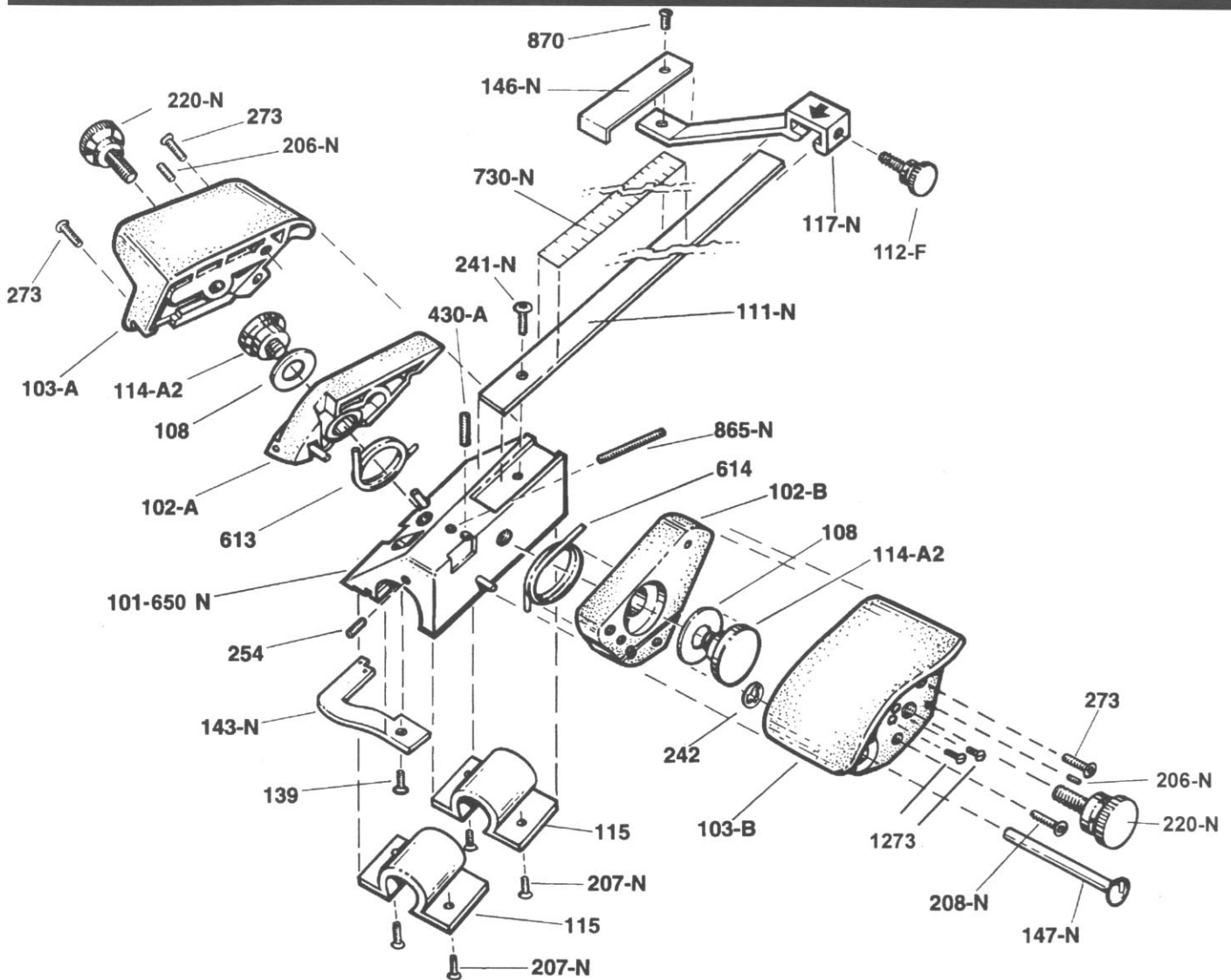


# SECTION 6: PARTS LIST AND EXPLODED VIEW DRAWINGS



PART #	DESCRIPTION	PART #	DESCRIPTION
104-N	cutting bar	153-2	mat guide
106-7	squaring arm	203	screw
107-2N1	squaring arm scale	211	handle bar screw
109-N	stop screw	221	end cap
112	mat guide knobs	222	bumper
112-F	stop screw	223	stop screw
113L	left support arm	229	board foot
113R	right support arm	602	mat guide slide
116	shoulder bolt	603	mat guide wedge
118-L	right hinge	604	mat guide screw
118-R	right hinge	608-N	cutting board
119	hinge nut	610-M	mat guide scale
120-N1	cutting bar stop	616	squaring arm screw
134	squaring arm stop	730-N	cutting bar scale
135	handle bar	112-F	stop screw
		1004	mat guide channel
		1025-N	mat guide channel screws

# SECTION 6: PARTS LIST AND EXPLODED VIEW DRAWINGS



PART #	DESCRIPTION	PART #	DESCRIPTION
101-650	cutting head base	207-N	bearing screw
102-A	bevel blade holder	208-N	cover screw
102-B	straight blade holder	112-F	stop screw
103-A	bevel blade cover	220-N	blade screw
103-B	straight blade cover	241-N	scale bar screw
108	shim	242	e-ring
111-N	scale bar	254	overcut adjustment screw
114-A2	shoulder screw	273	blade cover screw
115	Delrin bearing	430-A	straight cut blade depth screw
117-N	movable stop arm	613	bevel return spring
139	gauge screw	614	straight return spring
143-N	indicator gauge	730-N	movable stop scale
146-N	movable stop leg	865-N	bevel blade depth screw
147-N	lock-down pin	870	stop leg screw
206-N	blade tip screw		