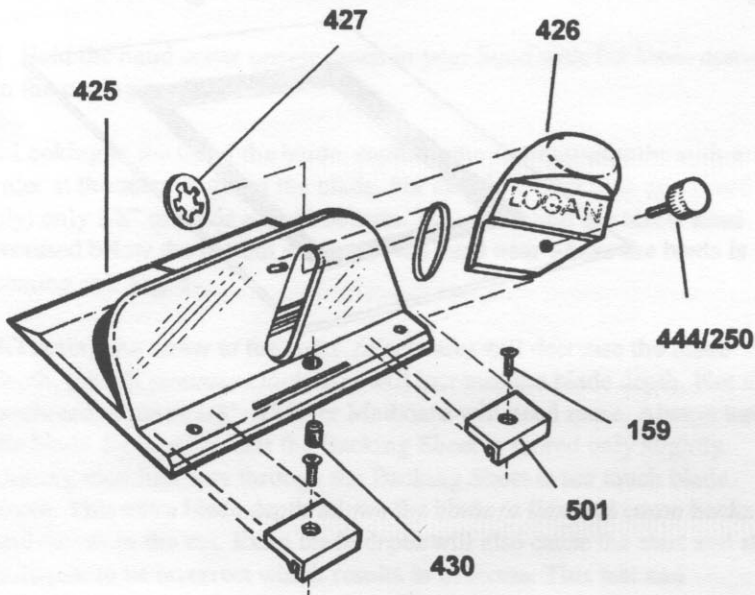


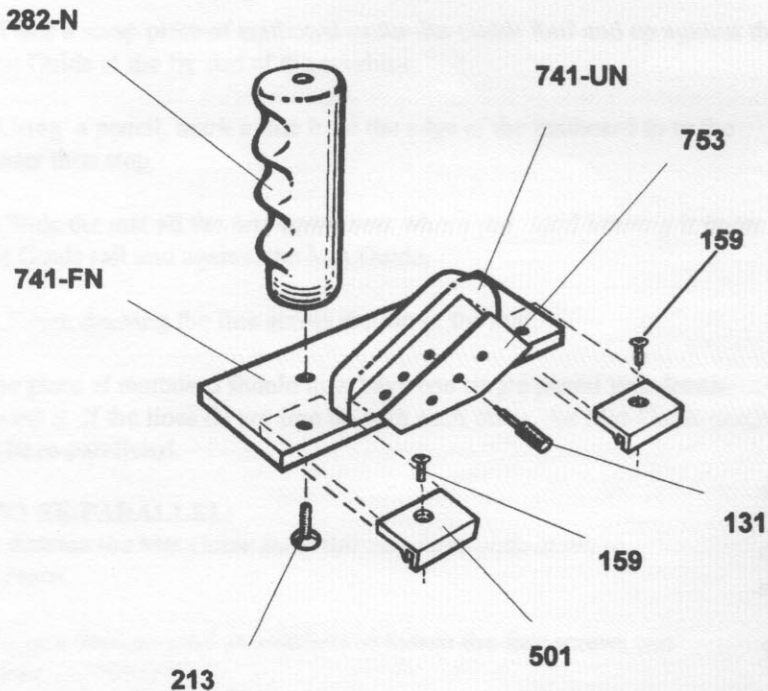
Parts List

A. Cutting Heads



302 Bevel Cutting Head

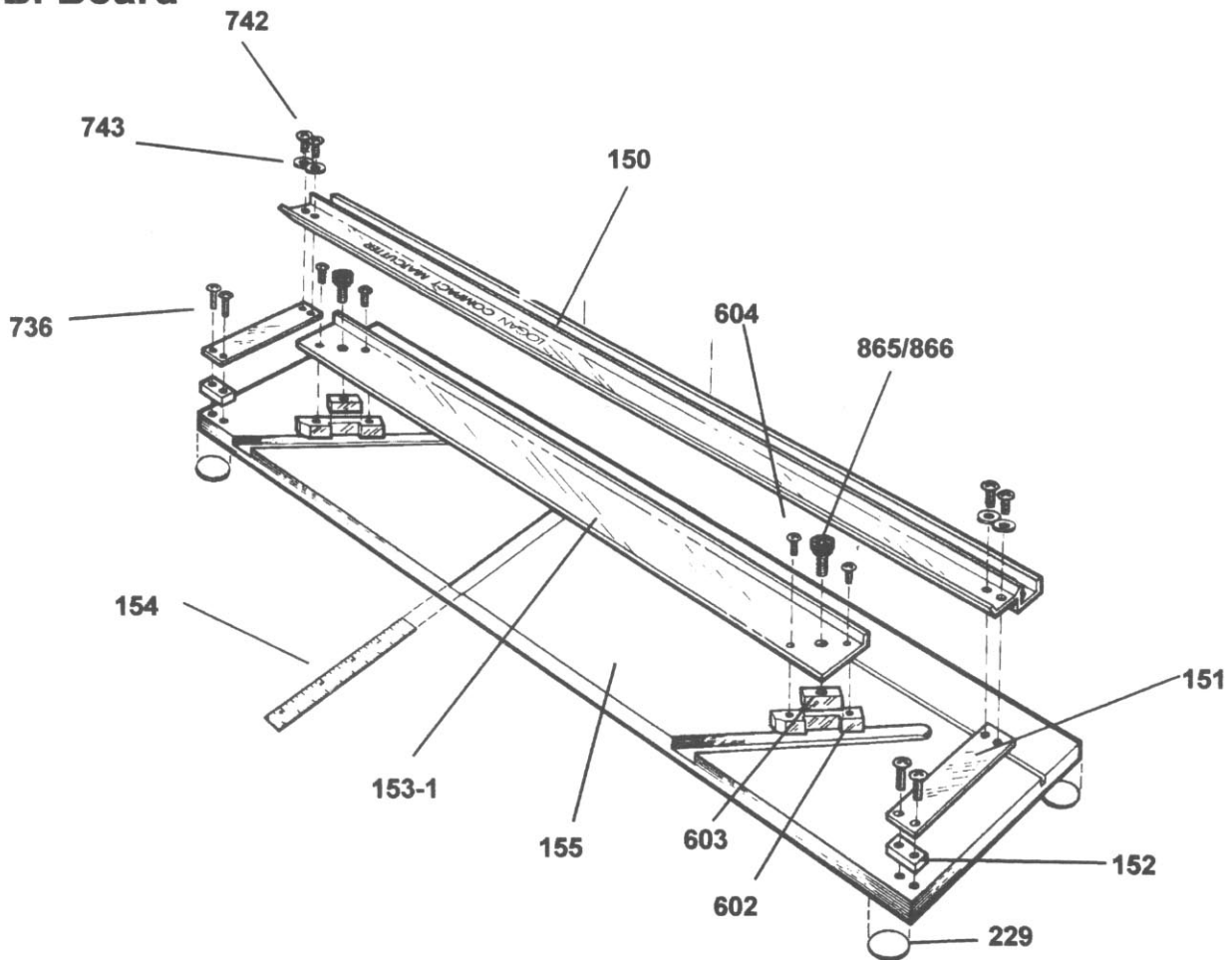
427	Push Washer
425	Cutting Head Base
426	Push Slide
444/250	Blade Screw
501	Bearing x2
159	Bearing Screw x2
430	Depth Adj. Screw



701 Straight Cutting Head

282-N	Handle
741-UN	Upright Base
753	Blade Cover
159	Bearing Screw x2
131	Knurled Screw
501	Bearing x2
213	Screw
741-FN	Straight Cut Base

B. Board



301 Compact Mat Cutter Board

150	Guide Rail
151	Support Arm (2)
152	Spacer Block (2)
153-1	Mat Guide
154	Scale
155	Cutting Board
229	Feet (4)
602	Mat Guide Slide (2)
603	Mat Guide Wedge (2)
736	Screw (4)
742	Screw (4)
743	Washer (4)
865/866	Knob (2)
604	Screws (4)