

EXPLODED VIEW/PARTS LIST

PART NO.	DESCRIPTION
159	Flat Head Screw
320	Oval Base, bottom
321	Oval Base, top
322-A	Radial Plate
323	Sliding Block
324-A	Adjustment Nut
326-A	Adjustable Slide
327-A	Oval Post
328-A	Radius Arm
329-A	Scale
331	Channel Block
332	Swivel Foot
333	Cover Plate
334	Tip Setting Screw
335	Roller Wheel
336-A	Pivot Pin Body
336-B	Pivot Pin Sleeve-not shown
337	Stepping Lever
338-A	Lever Pivot Screw
339	Pressure Pin
340	Tension Spring
341	Channel Block Shaft
342	Holding Pins
343	Plug
344	Cutting Blade
345	Blade Cover Tension Screw
346	Depth Adjustment Screw
347	Blade Cover Screw
349	Oil-Lite Bushing
350	Channel Block Retaining Screw
352	Base Screw
372	Step Tension Adjustment Screw
377/1213	Adjustment Knob
877	Shear Lock Knob
903-A	Channel Block Screw

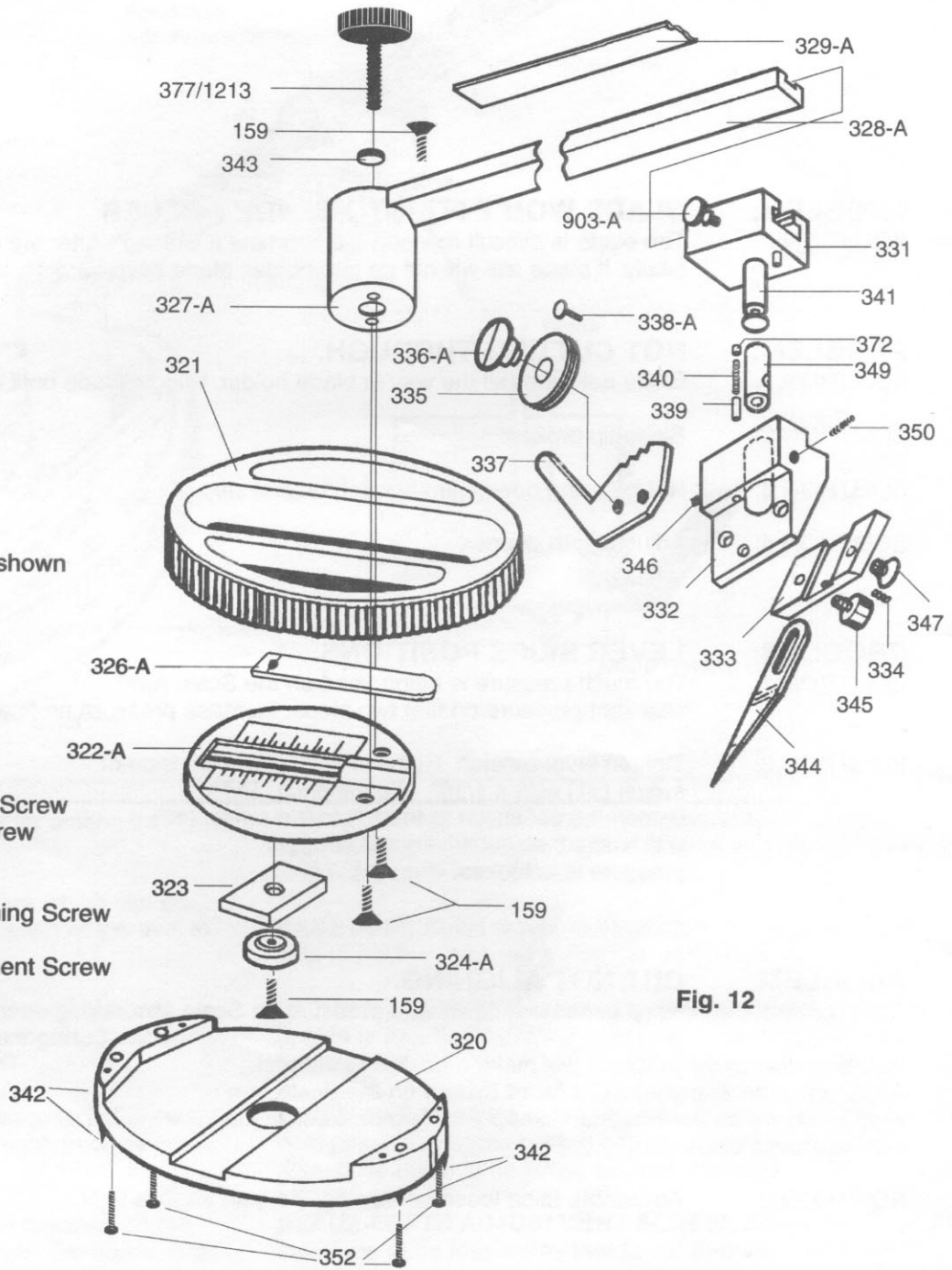


Fig. 12

WARRANTY

Logan Graphic Products, Inc. warrants the 3-Step Oval and Circle Mat Cutter to be free from defects in parts and workmanship for a period of one year from the date of original purchase. Logan Graphic Products, Inc. warrants that it will provide any necessary replacement parts proved to be defective. Should the machine need to be returned to Logan Graphic Products, Inc. for repair, the authorization must come from Logan Graphic Products, Inc. Logan Graphic Products, Inc. shall not be liable for any damages or losses, incidental or consequential, direct or indirect, arising from the use of this product. the warranty extends only to the original customer/purchaser and is not assignable or transferable.



Logan Graphic Products, Inc.
 1100 Brown Street, Wauconda, IL 60084
 Nationwide Toll Free 1/800-331-6232 • Fax Toll Free 1/800-331-6329

